

BLAST RESISTANT, SEALED DOOR MODELS 482

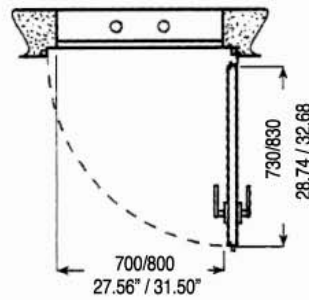
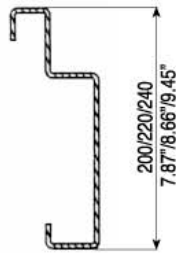
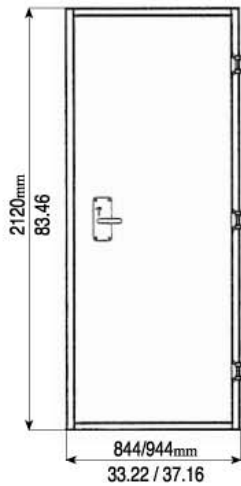


The MUL-T-LOCK blast doors are decorative shock resistant , sealed doors, especially designed for protected areas and buildings.

Tested and approved by the Israeli Civil Defence Command as conforming to civil defence regulations.

Blast door model 482

Construction frame



Approval:

1. SII spec. 197 - Shelter Metal Accessories.

Structure :

- *Interior casing is 1 (0.04") - thick steel.
- *Exterior casing is 1.5 (0.06") - thick galvanized steel.
- *The two casings are reinforced by 2 vertical and 8 horizontal steel bars, placed across the leaf.

Frame :

1.5mm (0.06") - thick galvanized steel

Blast Resistance :

The door has been thoroughly blast tested.

Installation:

The MUL-T-LOCK blast door is designed to be installed in two steps:

1. Accurate and exact installation of non deformable steel frame into the wall, using steel dummy frames.
2. Installing the door into the frame during the final phases of construction work.
Direction of the opening of the door will always be outwards.

